

GENERAL DUTY TYPE

MODEL: OCSB3 OCSB4

Features

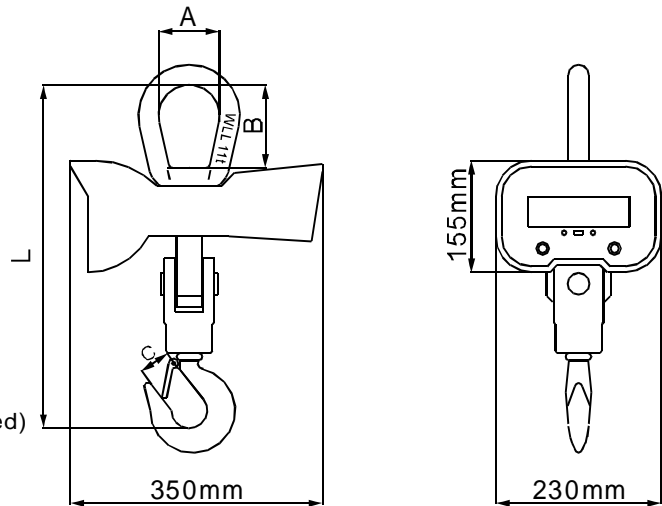
- Fast resolution switching
- 38mm 5 digits LED display for OCSB3
30mm 5 digits LCD display for OCSB4
- Rotatable hook
- Idle mode to maximize the battery life
- HOLD function
- Tare In / Tare Out
- Unit switch: kg / lb
- Auto overload alarm at 100%F.S. +9e
- Auto shutdown function
- Available options :
 - Wireless module that can communicate with peripherals, like scoreboard, handheld data collector and computer etc.



Specifications

Basic Parameters

- Accuracy Class: OIML Class III
 Display: 38mm 5 digits LED for OCSB3;
 30mm 5 digits LCD for OCSB4
 Tare Range: Full capacity
 Safe Overload: 120% Max. Capacity
 Overload Indication: 100% Max. Capacity +9e
 Ultimate Overload: 400% Max. Capacity
 Operation Time: 80 - 100 hours
 Battery Type: Fully sealed lead-acid battery, 6V/10Ah (included)
 Charger: AC Adapter 9V/1500mA (included)
 Operating Temperature: -10°C to +40°C [15°F to 105°F]
 Operating Humidity: < 85% RH under 20°C [68°F]
 Battery of Remote Controller: 2× 1.5V AA Battery (included)



Rated Capacity	A	B	C	L	Division	N.W.
1t/2Klb	70mm/2.76"	100mm/3.94"	35mm/1.38"	395mm/15.55"	0.5kg/1 lb	12kg/26.5 lb
2t/4Klb	70mm/2.76"	100mm/3.94"	35mm/1.38"	395mm/15.55"	1 kg/2 lb	12kg/26.5 lb
3t/6Klb	70mm/2.76"	100mm/3.94"	35mm/1.38"	395mm/15.55"	1kg/2 lb	12kg/26.5 lb
5t/10Klb	85mm/3.35"	115mm/4.53"	40mm/1.57"	490mm/19.29"	2kg/5 lb	17kg/37.5 lb