

MSI-7300 DYNA-LINK 2

QUALITY TENSION
DYNAMOMETERS



*Compatible with Optional
MSI-8000 RF Remote Display*



**Measurement Systems
International™**

A RICE LAKE WEIGHING SYSTEMS COMPANY

800-874-4320
www.msiscales.com

MSI-7300 DYNA-LINK 2

QUALITY TENSION DYNAMOMETERS

Introducing new and improved performance features

Dyna-Link 2 is lighter and more portable than its predecessor. It interfaces with industry-standard Crosby shackles and a variety of accessories and options, including wireless connectivity with the MSI-8000 RF Remote Display. Long-range viewing is enhanced by a large five-digit, 1.22 inch (31 mm) LCD with resolution settings up to 5,000 divisions and precision accuracy over a wide range of capacities.

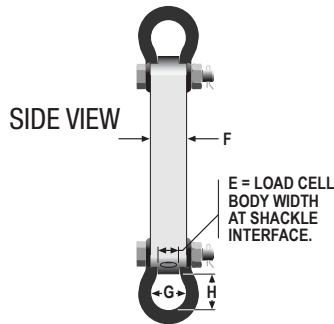
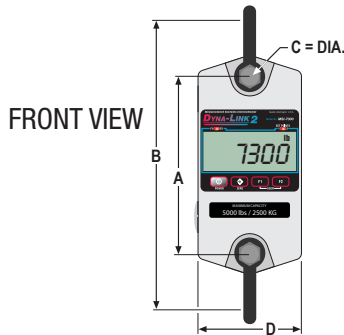
Dyna-Link 2 is constructed of high-grade, aircraft-quality aluminum with an anodized finish and gasket sealing to ensure environmental protection to NEMA 4 and IP 65 ratings.

Peak digital processing with low power consumption provides up to 300 hours of operation from standard flashlight batteries. Portable battery-powered display is packaged for industrial use and includes a serial output for interface with data collection and recording devices.

MSI-8000 provides full-function remote control of Dyna-Link 2 features up to distances of 100 ft (30m).



MSI-8000 RF Remote Display



Standard Product Specifications

Accuracy:	0.1% of rated capacity
Display:	Five-digit, 1.22 inch (31 mm) Liquid Crystal
Functions:	On/Off, Zero, Hi-Speed Peak Hold (220 samples/second), Setpoints (2 selectable), Total, Tare, Auto-Off, Motion Filter
LED Annunciators:	Function 1, Function 2, Setpoint 1, Setpoint 2
LCD Annunciators:	Net, Center of Zero, Stable, Battery Test, Peak Hold, Total
Displayable Units:	Pounds, Kilograms, Kilonewtons, Tons, Metric Tons
Data Output:	Serial RS-232
Operating Time:	Up to 150 hours during typical use with "C" and 300 hours in "D" size alkaline battery configuration.*
Power:	2 each "C" alkaline batteries for capacities up to 10,000 lb 2 each "D" alkaline batteries for capacities 25,000 - 100,000 lb
Operating Temperature:	-40° to 158°F (-40° to +70°C)
Material:	2024 aircraft grade aluminum
Enclosure:	NEMA 4 / IP65, anodized corrosion-resistant finish
Overload:	200% Safe / 700% ultimate safety factor up to the 100,000 lb capacity
Calibration:	Digital

MSI-7300 Options and Accessories

- RF Modem Link for Connectivity with MSI-8000
- Enhanced Display Resolution (5000 d)
- Audible Setpoint Alarm
- Crosby Top & Bottom Shackles
- Portable Transport Case
- Serial Output Cable
- Heavy Capacity Configurations (> 50 tons)

Optional MSI-8000 RF Remote Display Features

Functions:	On/Off, Zero, Tare, Peak Hold, Units, Total, High Resolution Net/Gross, Print, Test, Total Remote Devices
Display:	Five-digit, 1.22 inch (31 mm) Liquid Crystal
Annunciators:	Same as MSI-7300 Dyna-Link 2
Power:	Rechargeable Lithium Polymer Battery Operating time between charges is 24 hours, typical 100/240VAC battery charger is included
RF Frequency:	2.4 GHz - 802.15.4. Operating range 100 ft (30 m) typical
Enclosure:	Industrial grade NEMA 4/IP65
Output:	Serial RS-232

*Standard Units only, RF Unit's Battery life 24 hours typical continuous or better.

Capacity	Resolution	A	B	C	D	E	F	G	H	Shipping Weight without Shackles	Optional Crosby Shackles
1,000 lb 500 kg	.5 lb .2 kg	8.0 in 203 mm	13.53 in 344 mm	.75 in 19 mm	5 in 127 mm	.99 in 25 mm	1.75 in 44.5 mm	1.69 in 43 mm	1.75 in 44.4 mm	8 lb 3.6 kg	G-2130 3.25T
2500 lb 1250 kg	1 lb .5 kg	8.5 in 216 mm	14.03 in 356 mm	.75 in 19 mm	5 in 127 mm	.99 in 25 mm	1.75 in 44.5 mm	1.69 in 43 mm	1.75 in 44.4 mm	9 lb 4.0 kg	G-2130 3.25T
5,000 lb 2,500 kg	2 lb 1 kg	8.5 in 216 mm	14.03 in 356 mm	.75 in 19 mm	5 in 127 mm	.99 in 25 mm	1.75 in 44.5 mm	1.69 in 43 mm	1.75 in 44.4 mm	9 lb 4.0 kg	G-2130 3.25T
10,000 lb 5,000 kg	5 lb 2 kg	8.5 in 216 mm	16.14 in 410 mm	1 in 25 mm	5.50 in 140 mm	1.35 in 34 mm	2.00 in 51 mm	2.28 in 58 mm	2.34 in 59.4 mm	11 lb 5.0 kg	G-2130 6.5T
25,000 lb 12,500 kg	10 lb 5 kg	9.5 in 241 mm	22.66 in 576 mm	1.63 in 41 mm	6.38 in 162 mm	2.24 in 57 mm	2.50 in 63.5 mm	3.88 in 99 mm	4.69 in 119 mm	19 lb 8.6 kg	G-2130 17T
50,000 lb 25,000 kg	20 lb 10 kg	9.63 in 245 mm	25.67 in 652 mm	2 in 51 mm	7.50 in 191 mm	2.74 in 70 mm	3.25 in 82.5 mm	5.00 in 127 mm	5.75 in 146 mm	29 lb 13 kg	G-2130 25T
100,000 lb 50,000 kg	50 lb 20 kg	12 in 305 mm	29.75 in 756 mm	2.25 in 57 mm	8.13 in 207 mm	3.11 in 79 mm	5.25 in 133 mm	5.75 in 146 mm	4.81 in 122 mm	65 lb 30 kg	G-2140 55T

Consult factory for higher capacities from 80 to 250 tons.



A RICE LAKE WEIGHING SYSTEMS COMPANY



14240 Interurban Avenue South, STE. 200, Seattle, Washington 98168-4661 U.S.A.
TEL: 206-433-0199 • FAX: 206-244-8470 • EMAIL: info@msiscales.com www.msiscales.com

© 2012 by Measurement Systems International, Inc. PN 151211 9/12
Specifications subject to change without notice. Printed in U.S.A.